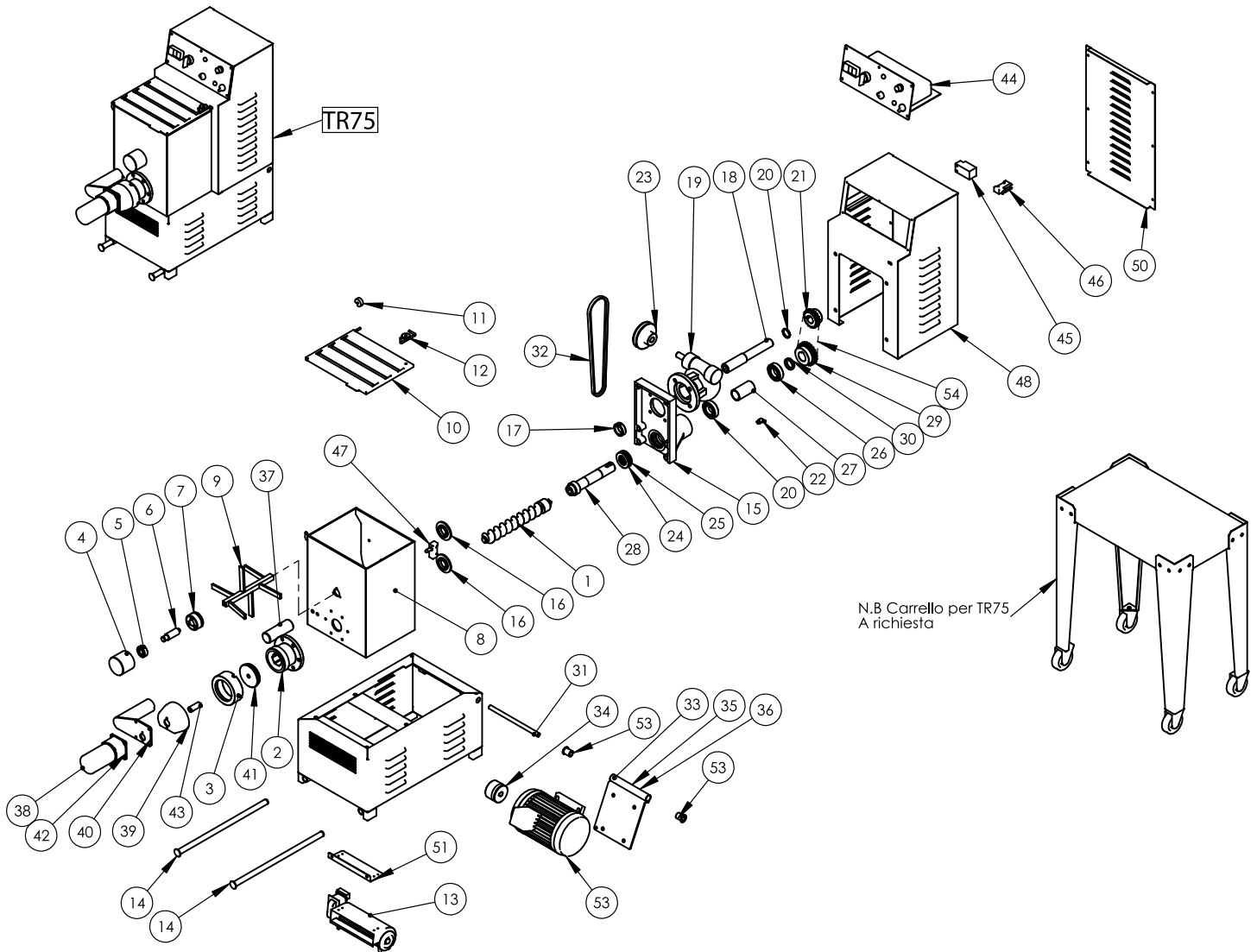


Parts Breakdown

Model PM-IT-0008 13364



Parts Breakdown

Model PM-IT-0008 13364

Item No.	Description	Position	Item No.	Description	Position	Item No.	Description	Position
44115	Worm for 13364	1	77692	Adapter MVF49 for 13364	19	77727	Round Door Knife Support for 13364	37
77675	Sleeve for 13364	2	77693	Spacer for 13364	20	42986	Cutter Motor Complete with Plug for 13364	38
77676	Lock Ring for 13364	3	77694	Upper Sprocket Z=18 3/8 for 13364	21	77712	Protection for 13364	39
77677	Support Mobile Mixing for 13364	4	77695	Fattener for 13364	22	77713	Knife Support for 13364	40
77678	Bearing 62206 for 13364	5	77696	Reducer Pulley for 13364	23	77714	Nylon Cup for 13364	41
77679	Pin for 13364	6	77697	Gasket for 13364	24	77715	Quick Connect Plug for 13364	42
77680	Fixed Support for 13364	7	77698	Bearing 51206 for 13364	25	AD364	Knife Blade for 13364	43
77681	Bath for 13364	8	77699	Bearing 6006 for 13364	26	77728	Electrical Assembly for 13364	44
77682	Mixer for 13364	9	AD362	Spacer for 13364	27	77729	Micro Switch FR515 for 13364	45
77683	Cover for 13364	10	77701	Lower Shaft for 13364	28	77720	Micro Switch MS30 for 13364	46
77684	Cam for 13364	11	77702	Lower Sprocket Z=23 3/8 for 13364	29	77721	Micro Switch MS09 for 13364	47
77685	Handle for 13364	12	77703	Spacer for 13364	30	77722	Cater Back for 13364	48
77686	Fan for 13364	13	77704	Rod for Motor Base for 13364	31	77723	Lower Cater for 13364	49
77687	Rod for 13364	14	24593	Belt SPZ 670/710 for 13364	32	77724	Back for 13364	50
77688	Plate for 13364	15	77706	Motor Base for 13364	33	77725	Bracket for Fan for 13364	51
77689	Wheel for 13364	16	77707	Motor Pulley for 13364	34	77726	Nylon Bushing for 13364	52
77690	Ring for 13364	17	77708	Tensioning Screw for 13364	35	77719	Motor 208/60/3 for 13364	53
77691	Upper Shaft for 13364	18	77709	Washer for 13364	36	77718	3/8 Chain for 13364	54